

**M12 Power L-coded 5pol. male recept. front mount**

wires PUR 5x1.5 0,2m

Flange male

M12, 5-pole

L-coded

Front mounting

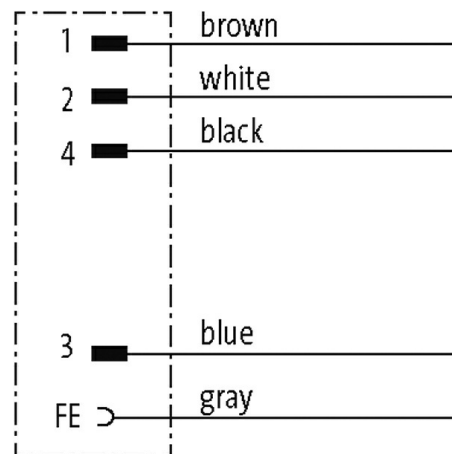
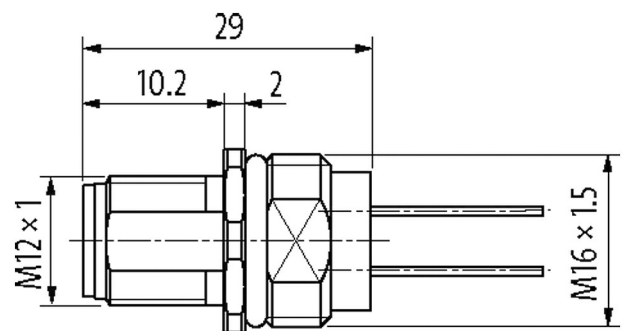
with multi-strand wire

The resistance to aggressive media should be individually tested for your application. Further details on request.

Further cable lengths on request.

**[Link to Product](#)**

**Illustration**



Product may differ from Image

#### Approvals



#### Form

Form P4281

#### General data

Standards IEC 61076-2-111

Pollution Degree 3

|                   |  |
|-------------------|--|
| Mounting set      | Screw thread (M16×1.5 mm) mounting nut   |
| Temperature range | -25...+85 °C, depending on cable quality |

**Cables**

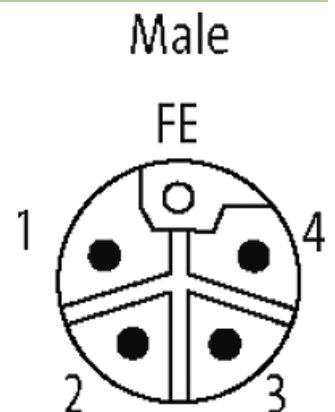
|                            |                          |
|----------------------------|--------------------------|
| Cable number               | 980                      |
| No./diameter of wires      | 5 × 1.5 mm <sup>2</sup>  |
| Wire isolation             | PUR (br, wh, bl, bk, gr) |
| Bend radius (fixed)        | 7.5 × outer Ø            |
| Temperature range (fixed)  | -40...+90 °C             |
| Temperature range (mobile) | -25...+90 °C             |
| Shield                     | no                       |
| Outer Ø                    | 2.4 mm ±5%               |

**Technical Data**

|   |  |
|---|--|
| Operating voltage                         | max. 63 V AC/DC  |
| Rated surge voltage                       | 1.5 kV   |
| Operating current per contact             | max. 16 A; max. 14 A (UL-Recognized)                             |
| Material group                            | IEC 60664-1, category I  |
| Coding                                    | L-coded  |
| Locking of ports                          | Screw thread (M12×1 mm) recommended torque 0.6 Nm, self-securing |
| Compression gland                         | Flange (SW17)  |
| Protection                                | IP65 and IP67 when plugged and screwed down (EN 60529)           |
| Protection NEMA                           | 3, 4, 6P (UL 50E)  |
| Locking material                          | Brass, nickel plated   |
| suitable for corrugated tube (internal Ø) | without  |
| Housing                                   | Brass, nickel plated   |

**Commercial data**

|                       |               |
|-----------------------|---------------|
| country of origin     | DE            |
| customs tariff number | 85444290      |
| EAN                   | 4048879593793 |
| eClass                | 27279220      |
| Packaging unit        | 1             |

**Sketch**

Product may differ from Image